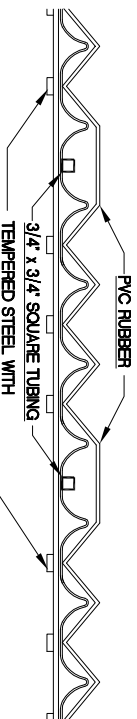
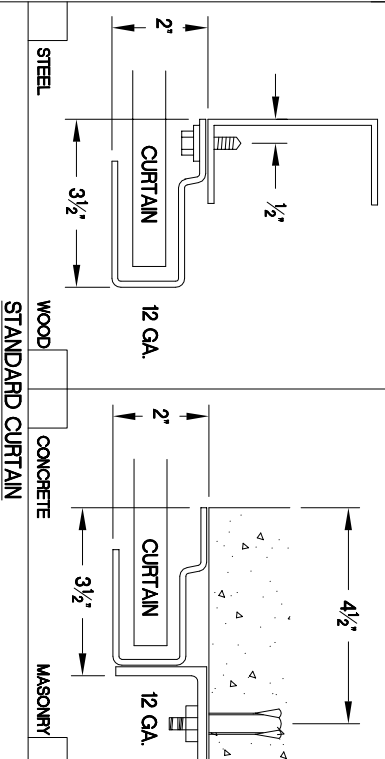


WIND-BARS *

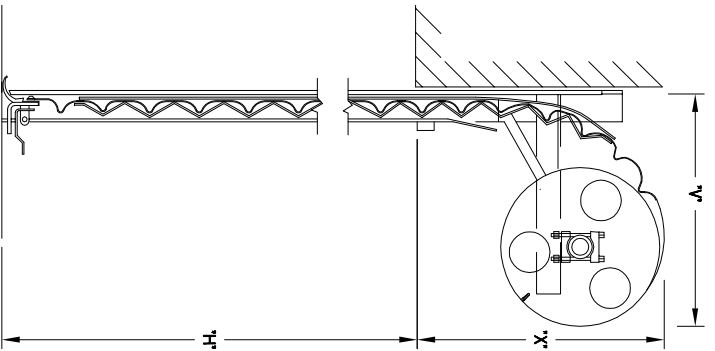
ALL INTERMEDIATE SHEETS REINFORCED WITH 3/4"x3/4" STEEL SQUARE TUBING FASTENED TO CURTAIN WITH 3/16" STEEL RIVETS.

GUIDE DETAILS



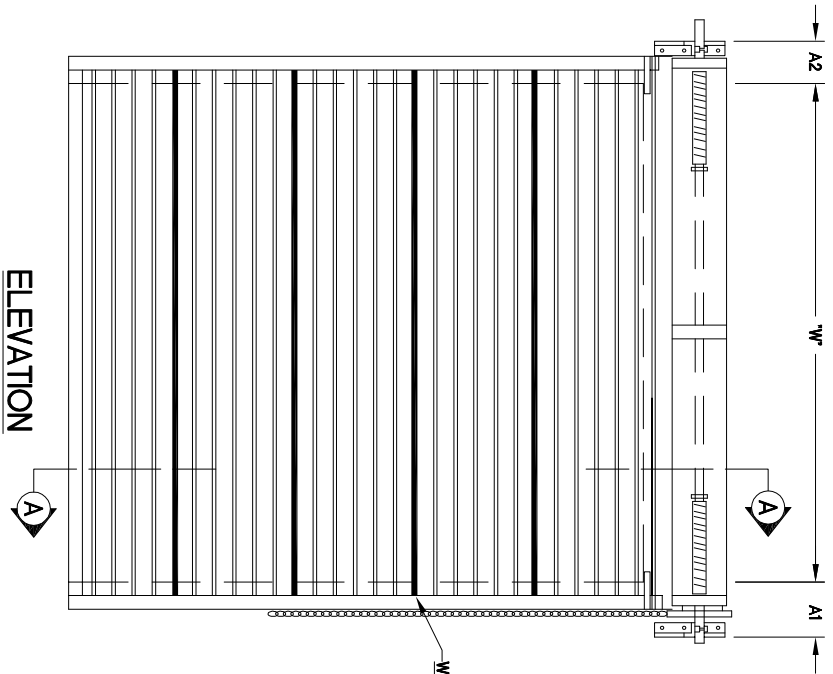
GENERAL NOTES:

- CURTAIN:
- 26 GAUGE GALVANIZED STEEL WITH BAKED ON EPOXY PRIMER AND POLYESTER TOP COAT
- GUIDES:
- ROLL FORMED 12 GAUGE GALVANIZED STEEL.
- OPERATION:
- RIGHT HAND SHOWN, LEFT HAND OPPOSITE
- OTHER SURFACES:
- GALVANIZED OR SHOP COAT PRIMER
- WIND-BAR:
- 3/4" x 3/4" STEEL SQUARE TUBING RIVETED TO CENTER OF ALL INTERMEDIATE PANELS.



SECTION-A-A

ELEVATION



SIDE ROOM REQUIREMENTS

MARK	QTY.	OPENING SIZE	OPERATION	RH	CLEARANCES	OPTION	PROJECT:
<input type="checkbox"/>		CHOOSE TYPE OF OPERATION BELOW					ARCHITECT:
<input type="checkbox"/>		HAND-ROPE PULL					CONTRACTOR:
<input type="checkbox"/>		REDUCTION GEAR CHAIN HOIST					DISTRIBUTOR:
<input type="checkbox"/>		ELECTRIC MOTOR OPERATOR KIT					DATE:
							MODEL 235 WIND-BAR INDUSTRIAL SHEET DOOR

SEE 'ELEVATION'

MARK	QTY.	OPENING SIZE	OPERATION	RH	CLEARANCES	OPTION	PROJECT:
		WIDTH 'W'		LH	'X'	'V'	ARCHITECT:
		HEIGHT 'H'					CONTRACTOR:
							DISTRIBUTOR:
							DATE:
							MODEL 235 WIND-BAR INDUSTRIAL SHEET DOOR



4255 McEver Industrial Dr.
Acworth, GA 30001
PH(770) 924-2800
FAX(770) 974-1455
www.astadoor.com

Asta Door Corporation is not responsible for the use of improper installation procedures, structural supports as well as field inspection prior to manufacturing and installation.

APPROVAL SIGNATURE: _____

DATE: _____

SHEET: _____ OF: _____ BY: _____ REF: # _____