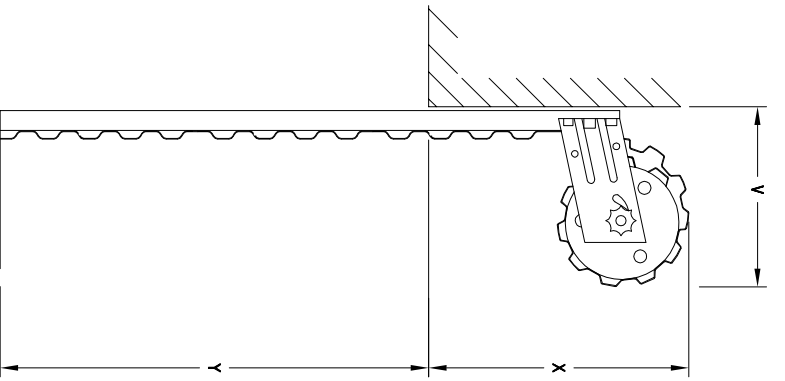
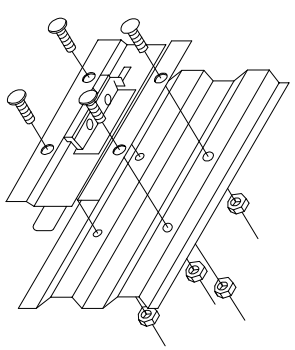


ELEVATION



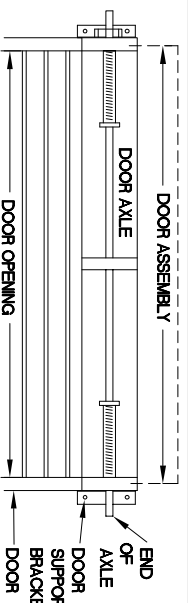
SECTION-A-A

OPERATION	A1	A2
MANUAL PUSH-UP	3 1/4"	3 1/4"



MODEL 281 MINI LOCK ASSEMBLY

ELEVATION DETAIL

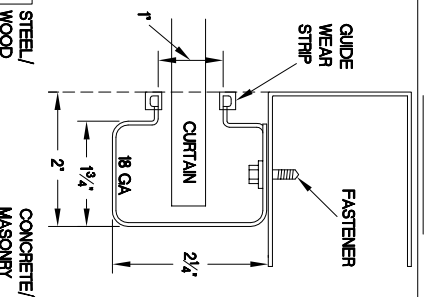


CLEARANCE REQUIREMENTS

OPENING HEIGHT	HEADROOM		SIDEROOM (PER SIDE)	
	(X)	(Y)	BACK OF GUIDE	OUTSIDE OF BRACKET
UP TO 8'	16"	17"		3 1/4"
UP TO 10'	17"	18"		5"

GENERAL NOTES:

- CURTAIN:
- 26 GAUGE GALVANIZED STEEL WITH BAKED ON EPOXY PRIMER AND POLYESTER TOP COAT
- GUIDES:
 - ROLL FORMED 18 GAUGE GALVANIZED STEEL.
- OPERATION:
 - RIGHT HAND SHOWN, LEFT HAND OPPOSITE
 - OTHER SURFACES:
 - GALVANIZED



GUIDE DETAIL

MARK	QTY.	OPENING SIZE	OPERATION	RH	OPTION
		WIDTH "W"		LH	
		HEIGHT "H"			

PROJECT: _____ ARCHITECT: _____
 CONTRACTOR: _____ DISTRIBUTOR: _____
ASTA Door Corporation
 4255 McEver Industrial Dr.
 Acworth, GA 30001
 PH:(770) 924-2800
 Fax:(770) 974-1455
 www.astadoor.com

DATE: _____ SHEET: _____ OF: _____ BY: _____ REF.# _____
MODEL 281-MINI/SELF STORAGE DOOR (D-PANEL)

ASTA Door Corporation is not responsible for the use of improper installation procedures, structural supports as well as field inspection prior to manufacturing and installation. APPROVAL SIGNATURE: _____ DATE: _____