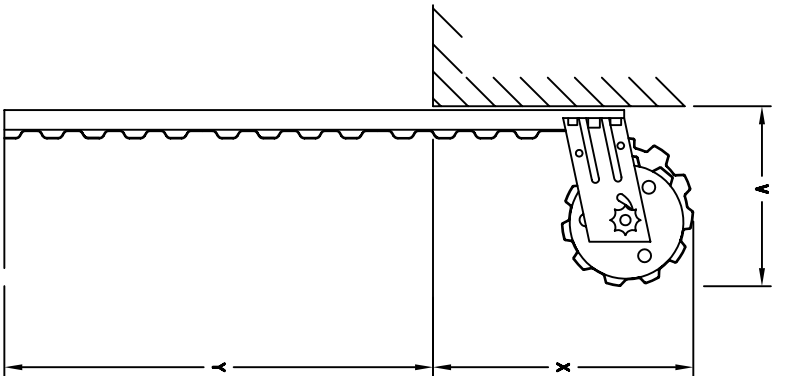
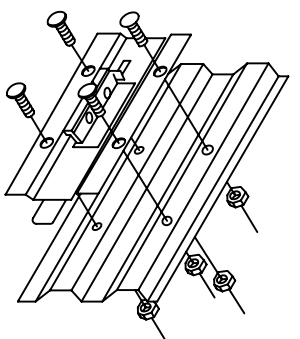


ELEVATION

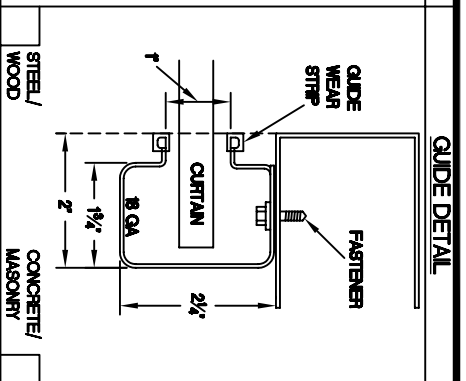


SECTION-A-A

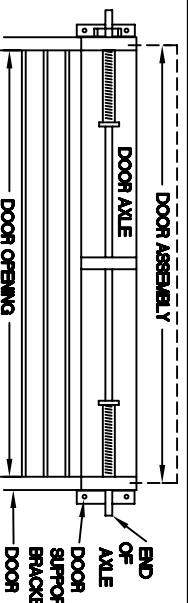
OPERATION	A1	A2
MANUAL PUSH-UP	3 1/4"	3 1/4"



MODEL 281 MINI LOCK ASSEMBLY



GUIDE DETAIL



ELEVATION DETAIL

CLEARANCE REQUIREMENTS		SIDEROOM (PER SIDE)	
OPENING HEIGHT	HEADROOM (X)	(Y)	BACK OF GUIDE
	UP TO 8'	16'	7'
	UP TO 10'	7'	18'
			END OF AXLE
			3 1/4"
			5"

- GENERAL NOTES:**
- CURTAIN
  - 28 GAUGE GALVANIZED STEEL WITH BAKED ON EPOXY PRIMER AND POLYESTER TOP COAT
  - GUIDES:**
    - ROLL FORMED 18 GAUGE GALVANIZED STEEL.
  - OPERATION:**
    - RIGHT HAND SHOWN, LEFT HAND OPPOSITE
    - OTHER SURFACES
    - GALVANIZED

MARK	QTY.	OPENING SIZE	OPERATION	RH	OPTION	PROJECT:	4255 McEwen Industrial Dr. Acworth, GA 30001
		WIDTH "W"		LH		ARCHITECT:	PH(770) 924-2800
		HEIGHT "H"				CONTRACTOR:	Fax(770) 974-1455
						DISTRIBUTOR:	www.asaddoor.com
						DATE:	REF#
						SHEET:	OF:
						BY:	
						<b>MODEL 281W WINDLOAD-MINI/SELF STORAGE DOOR (D-PANEL)</b>	

Asia Door Corporation is not responsible for the use of improper installation procedures, structural supports as well as field inspection prior to manufacturing and installation.

APPROVAL SIGNATURE: \_\_\_\_\_ DATE: \_\_\_\_\_