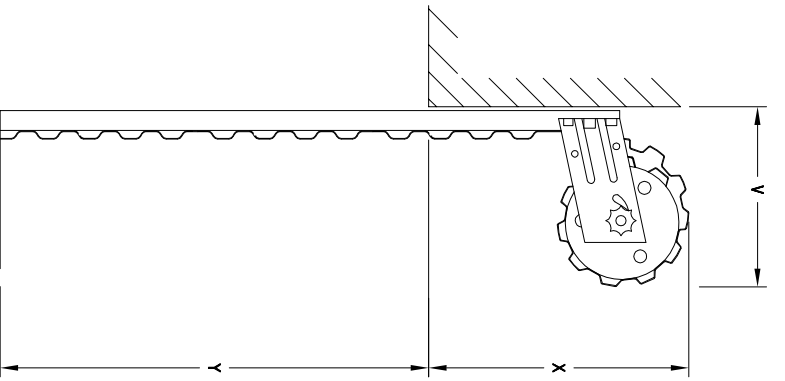
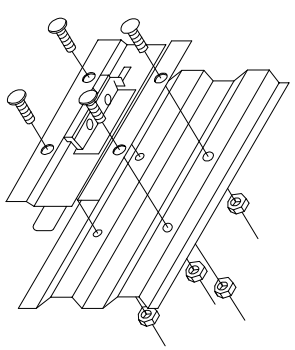


ELEVATION

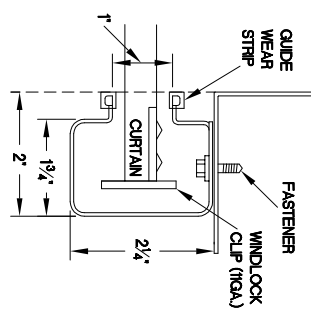


SECTION-A-A

OPERATION	A1	A2
MANUAL PUSH-UP	3 1/4"	3 1/4"

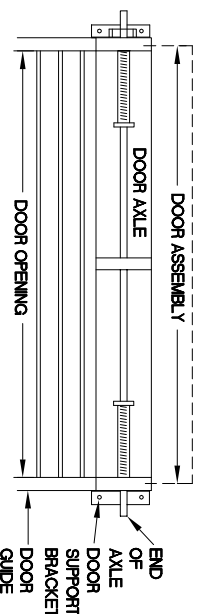


MODEL 281 MINI LOCK ASSEMBLY



GUIDE DETAIL

ELEVATION DETAIL




CLEARANCE REQUIREMENTS

OPENING HEIGHT	HEADROOM		BACK OF GUIDES	SIDEROOM (PER SIDE)
	(X)	(Y)		
UP TO 8'	16"	17"	OUTSIDE OF BRACKET	2"
UP TO 10'	17"	18"	END OF AXLE	3 1/4"
				5"

GENERAL NOTES:

- CURTAIN:
- 26 GAUGE GALVANIZED STEEL WITH BAKED ON EPOXY PRIMER AND POLYESTER TOP COAT
- GUIDES:**
- ROLL FORMED 18 OR 14 GAUGE GALVANIZED STEEL WITH 11 GAUGE WINDLOCK INSERT
- OPERATION:**
- RIGHT HAND SHOWN, LEFT HAND OPPOSITE
- OTHER SURFACES:**
- GALVANIZED

MARK	QTY.	OPENING SIZE	OPERATION	RH	OPTION	PROJECT:	DATE:	SHEET:	OF:	BY:	REF.#
		WIDTH "W"	HEIGHT "H"	LH		ARCHITECT:					
						CONTRACTOR:					
						DISTRIBUTOR:					
						ASTA Door Corporation					
											
						4255 McEver Industrial Dr. Acworth, GA 30101 PH(770) 924-2800 Fax(770) 974-1455 www.astadoor.com					
MODEL 283-MINI/SELF STORAGE WINDLOCK SHEET DOOR											

ASTA Door Corporation is not responsible for the use of improper installation procedures, structural supports as well as field inspection prior to manufacturing and installation.

APPROVAL SIGNATURE: _____ DATE: _____