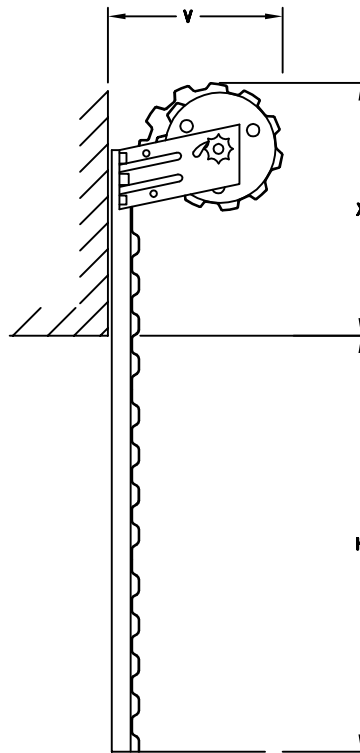


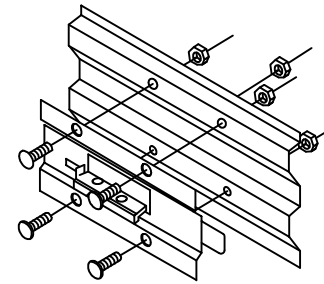
**ELEVATION**



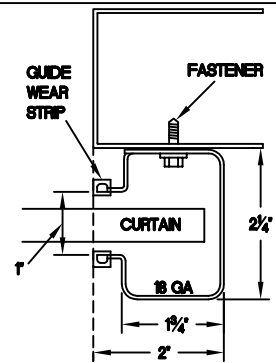
**SECTION-A-A**

OPERATION	A1	A2
MANUAL PUSH-UP	3 1/4"	3 1/4"

**MODEL 281 MINI LOCK ASSEMBLY**



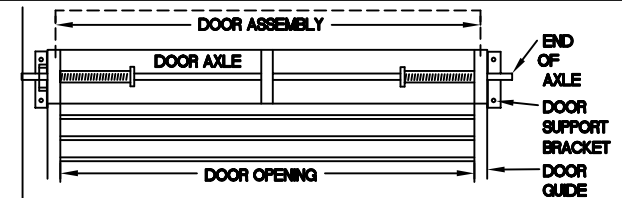
**GUIDE DETAIL**



STEEL/  
WOOD

CONCRETE/  
MASONRY

**ELEVATION DETAIL**



**CLEARANCE REQUIREMENTS**

OPENING HEIGHT	HEADROOM		SIDEROOM (PER SIDE)	
	(X)	(V)	BACK OF GUIDE	
UP TO 8'	16"	17"	OUTSIDE OF BRACKET	2'
UP TO 10'	17"	18"	END OF AXLE	3 1/4'
				5'

**GENERAL NOTES:**

**CURTAIN:**

- 26 GAUGE GALVANIZED STEEL WITH BAKED ON EPOXY PRIMER AND POLYESTER TOP COAT

**GUIDES:**

- ROLL FORMED 18 GAUGE GALVANIZED STEEL

**OPERATION:**

- RIGHT HAND SHOWN, LEFT HAND OPPOSITE

**OTHER SURFACES:**

- GALVANIZED

MRK.	QTY.	OPENING SIZE		OPERATION	R.H.	OPTION	PROJECT:		4255 McEver Industrial Dr. Acworth, GA 30101 PH:(770) 974-2600 Fax:(770) 974-1455 www.astadoor.com	
		WIDTH 'W'	HEIGHT 'H'		L.H.		ARCHITECT:			
							CONTRACTOR:	<b>ASTA Door Corporation</b>		
							DISTRIBUTOR:			
							DATE:	SHEET: OF:	BY: REF:#	
							<b>MODEL 281-MINI/SELF STORAGE DOOR (D-PANEL)</b>			

Asta Door Corporation is not responsible for the use of improper installation procedures, structural supports as well as field inspection prior to manufacturing and installation.

APPROVAL SIGNATURE: \_\_\_\_\_ DATE: \_\_\_\_\_